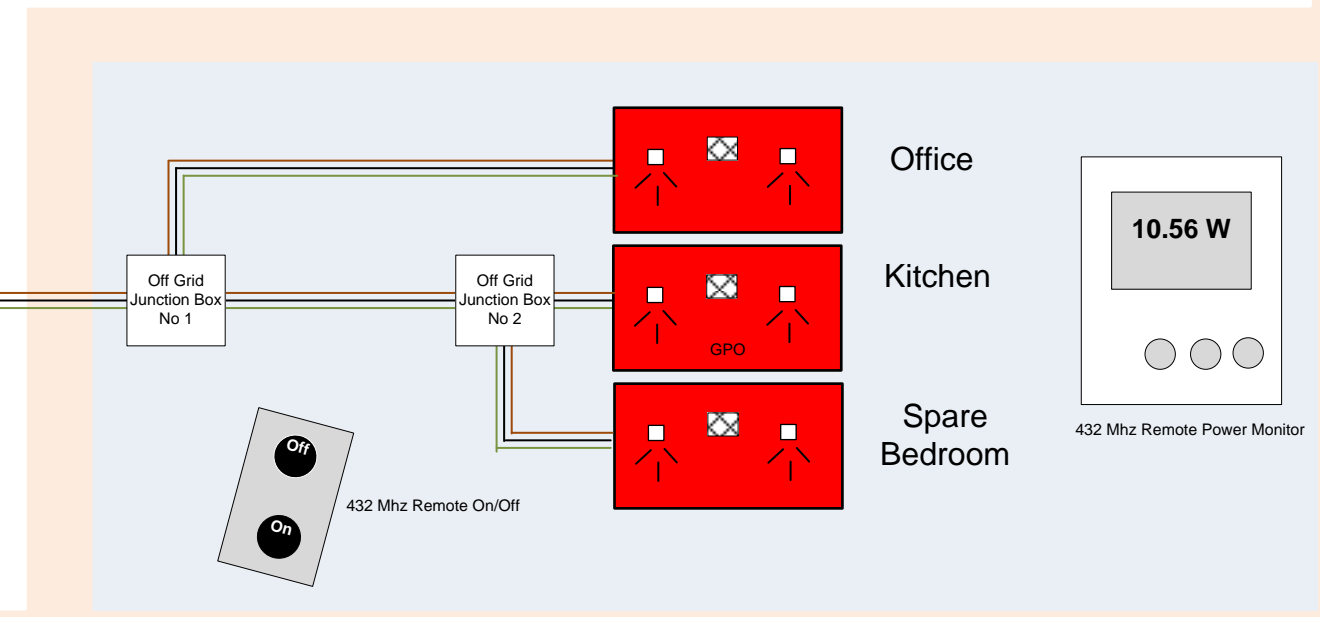
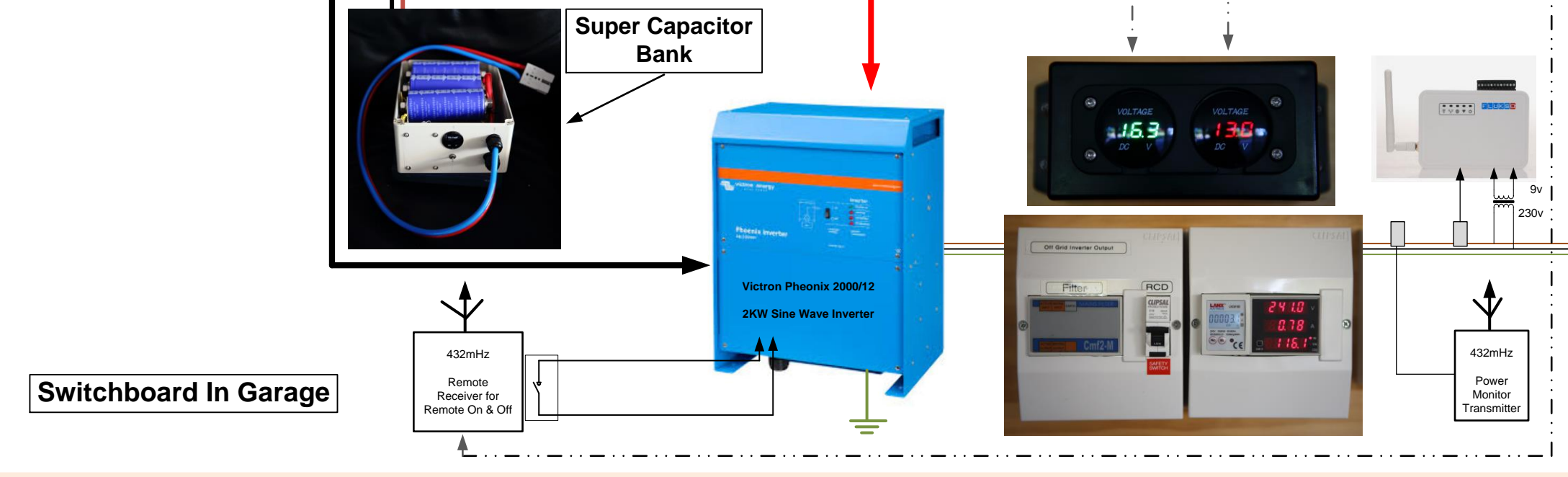
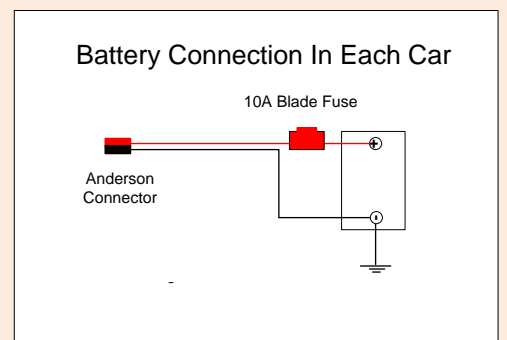
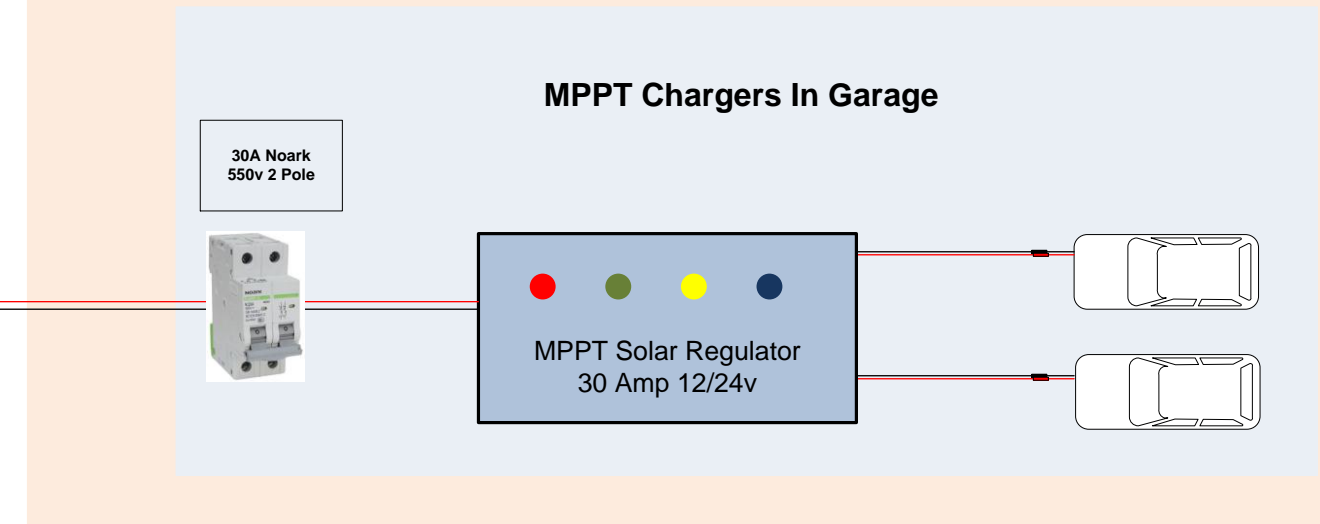
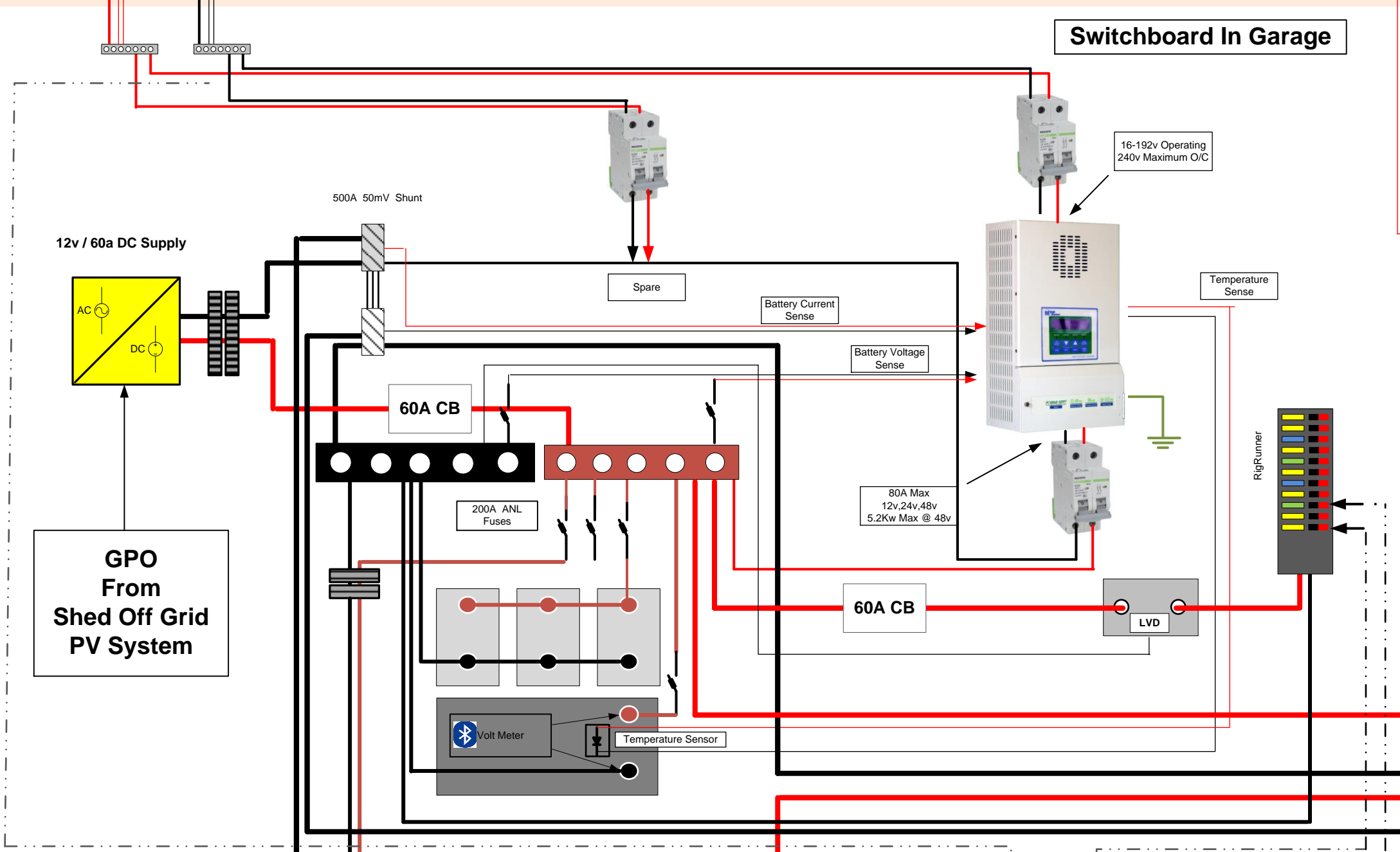


InstaPower	
Model Type	2000M-Z2
Maximum Power (Pmax)	200W
Tolerance	-3.5%
Voltage at Pmax (Vmp)	18.6V
Current at Pmax (Imp)	10.755A
Open-Circuit Voltage (Voc)	22.3V
Short-Circuit Current (Isc)	12.5A
Weight	33.5kg
Maximum Series Fuse Rating	15A
Module Application	Class A
Fire Rating	Class C
Maximum System Voltage	1000V
Operating Temperature	-40°C to 45°C
Module size	1580 x 858 x 35(mm)
All technical data is standard Test Condition AM1.5 G=1000W/m ² Tc=25°C	

Panels 3, 4 & 5

SUQIANG ENERGY www.szuoyang.com	
MODEL TYPE	SY-200M
Maximum Power Current (Imp)	11.1A
Maximum Power Voltage (Vmp)	18.6V
Short-Circuit Current (Isc)	11.5A
Open-Circuit Voltage (Voc)	22.6V
Maximum System Voltage	1000V
Wind Resistance	2400N/m
All technical data is standard test condition AM1.5 G=1000W/m ² Tc=25°C	
WARNING: Refer to Installation and Operation Manual before installing, operating or servicing this unit. DO NOT connect/disconnect plug contacts while in use or under load current. Failure to comply can result in a hazardous situation. Charge!	
Module Certificate	

Panel 2



VK6JI
 12 Volt PV System In Shack
 Drawn 03/03/2019